

Double-layer Glass Column Operating Instruction



Contents

1. Brief Introduction	1
1.1 Overview	1
1.2 Description of main parts	1
1.3 Material	2
1.4 Chemical tolerance	3
1.5 Clean up	3
2 Disassemble and assemble	3
2.1 Disassemble of column head or bottom	3
2.2 Replace sieve and support mesh	3
2.3 Assembling of column head	4
2.4 Assembling of column bottom	5
2.5 Replace capillaries	5
3. Operation	8
3.1 Pillar Packer	8
3.2 Column packing	8
3.3 Use the column tube connector to connect another column tube for packing.	9
3.4 Use the column packer to pack the packing	10

1. Brief Introduction

1.1 Overview

GALAK chromatography column series are designed for the standard liquid chromatography of macromolecules. The intention design of product is based on high reproducibility and precision results. GALAK chromatography column series are compatible with aqueous solution and organic solvent in liquid chromatography. The GALAK column head is applied with chromatography column of GALAK which includes a head and a bottom. A larger scale of column bed height can be obtained if the bottom part is replaced with other GALAK column head. (Table 2)

1.2 Description of main parts

The main components of GALAK column indicate in Figure 1. The detailed view of column parts can be referred to the disassemble diagram in Figure 6.

Glass tube(1): borosilicate glass tube, including 200、300、400、600、700、1000mm of length, and 10、16、26、50mm of inner diameter.

Thermostatic jacket (8): the jacket is an acrylic plastic pipe with threads at both ends. It closes the glass tube and seals both ends with O-rings.

Column tube (10): The chromatographic column tube is composed of glass tube, thermostatic jacket, and column end parts

Column end piece (9): The red connecting piece, made of reinforced polyoxymethylene plastic, fixes the glass tube and thermostatic jacket in a suitable position. Each end part has an O-ring, a sealing ring, a gasket and a pressure ring. The end piece also carries a fluid connector through which fluid enters or leaves the column from the thermostat

Column head(2): The column head including the upper clamp cap which connected with tube(4), and the plunger with sieve and support mesh(5). It also including a tightly screw nut(6)to ensure the secure sealing between column head and tube.

Column bottom(3): The bottom is connected with tube by lower screw cap(7). The resin bed includes a 10um nylon mesh(8)which located at the top of plunger. And can be rotated tightly to ensure the secure sealing between column head and tube.

Pipeline and adapter: GALAK column allocated with capillary, connector (1/16 ")and plug. The length of head pipeline is 50cm, as well as the length of bottom pipeline is 35cm. The capillary is surrounded by a 2cm length of protective pipe which located at the access place of head and bottom parts to prevent the squeeze and compression of capillary through the transportation and storage of cargo.

1.3 Material

Under the normal operating condition, the only material parts which contact to elution buffer are glass fiber reinforced polypropylene, nylon, borosilicate glass, fluorubber and ETFE/PTFE.

All specifications of columns include a metal part in the fast-lock section.

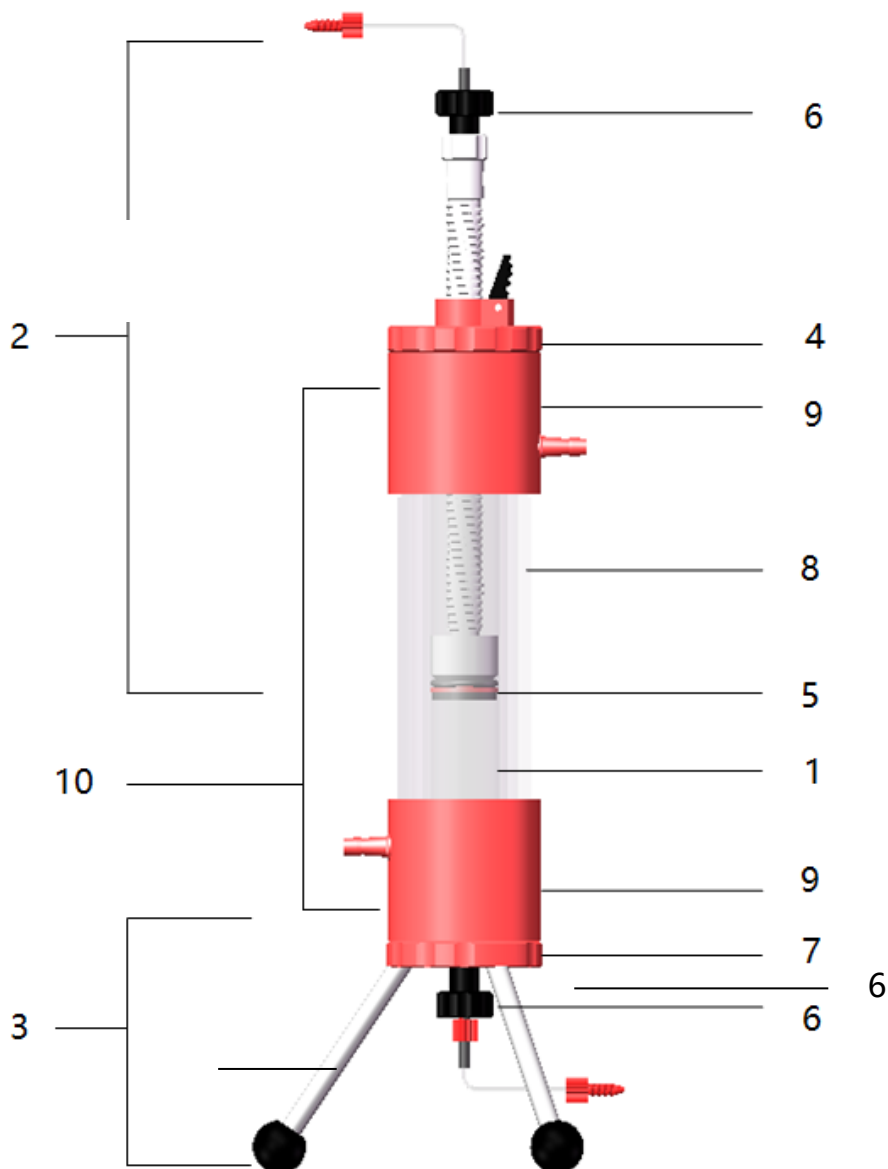


Figure 1. The main parts of GALAK chromatography column

1.4 Chemical tolerance

The GALAK chromatography column is compatible with aqueous solution and vast majority of organic solvent applied in macromolecular HPLC except:

- Chlorocarbon
- Acetone and other ketones
- Saturated aliphatic esters
- Phenol

Other solvents include the conc. of NaOH > 2.5M, HCl > 2.7M, and the conc. of strong mineral acid and acetic acid > 0.8M are intolerable with column as well.

1.5 Clean up

The suitable detergent is soap-suds or lab cleaning solvent, and ferment detergent is recommended to remove the protein contaminations.

The autoclaving can be approached in the absence of glass pipe or sieve from the column. Alternatively the ethylene oxide sterilization of entire column is acceptable.

2 Disassemble and assemble

Notice: Before insert or remove the column bottom or head, the black compression nut must be released.

2.1 Disassemble of column head or bottom

Refer to the components details in Figure 5.

1. Release the black compression nut (6).
2. Unscrew the upper cap (4) or (7), remove the head and bottom from column.
3. Hold the upper pressure bar (3) or (12), release the plunger (5).
4. Before autoclaving, remove the O ring (11).
5. Take sieve (8) down from plunger (5) with tools.

2.2 Replace sieve and support mesh

Refer to the details in Figure 2.

1. Remove sieve with tools (8).
2. Take support mesh (9) down from plunger (5).

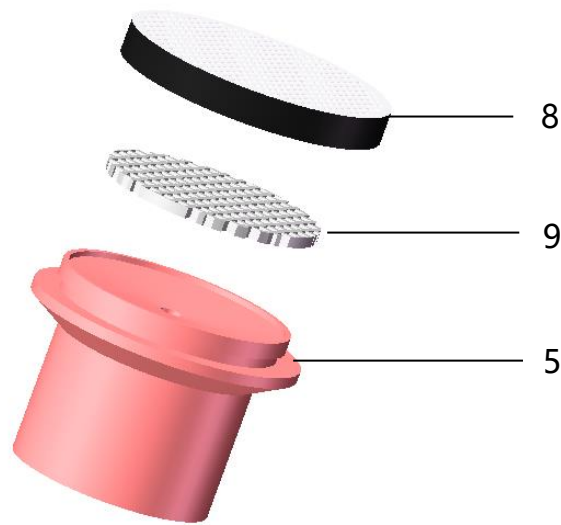


Figure 2. Replace sieve and support mesh

2.3 Assembling of column head

1. Tighten the upper pressure bar (3) onto the plunger (5) (Figure 3a & 3b).
 2. Screw the compression nut (6) tightly to O-ring (11) which allow it adherence to plunger and prevent over compressed it. (Figure 3c).
- Thus, the column head is ready for use.

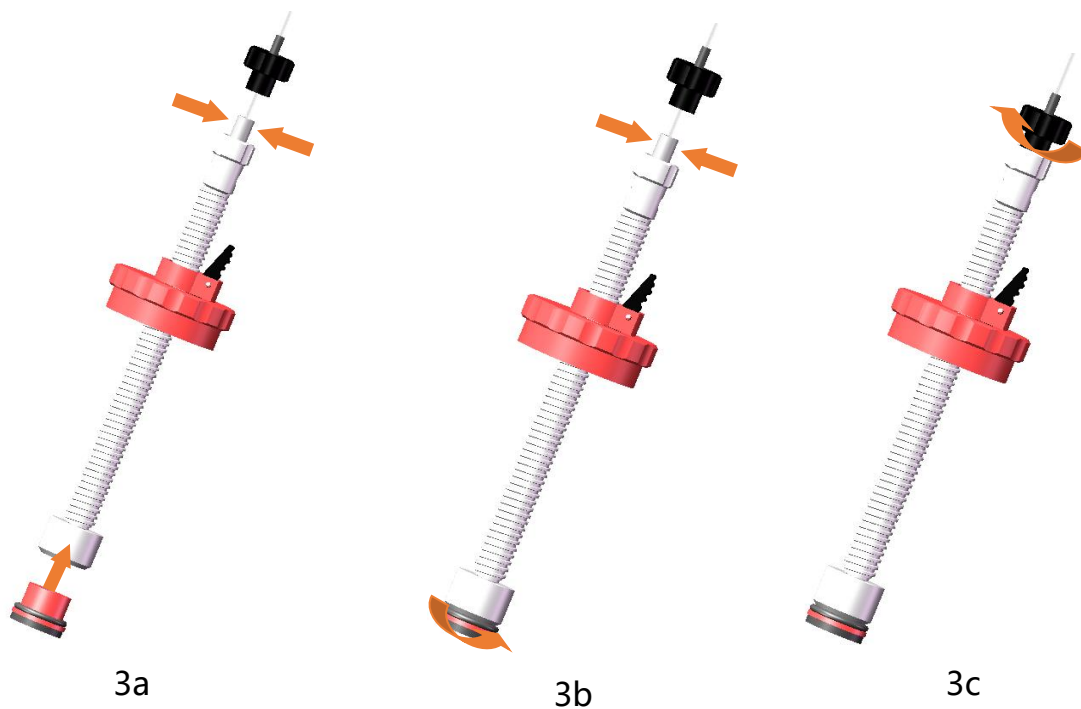


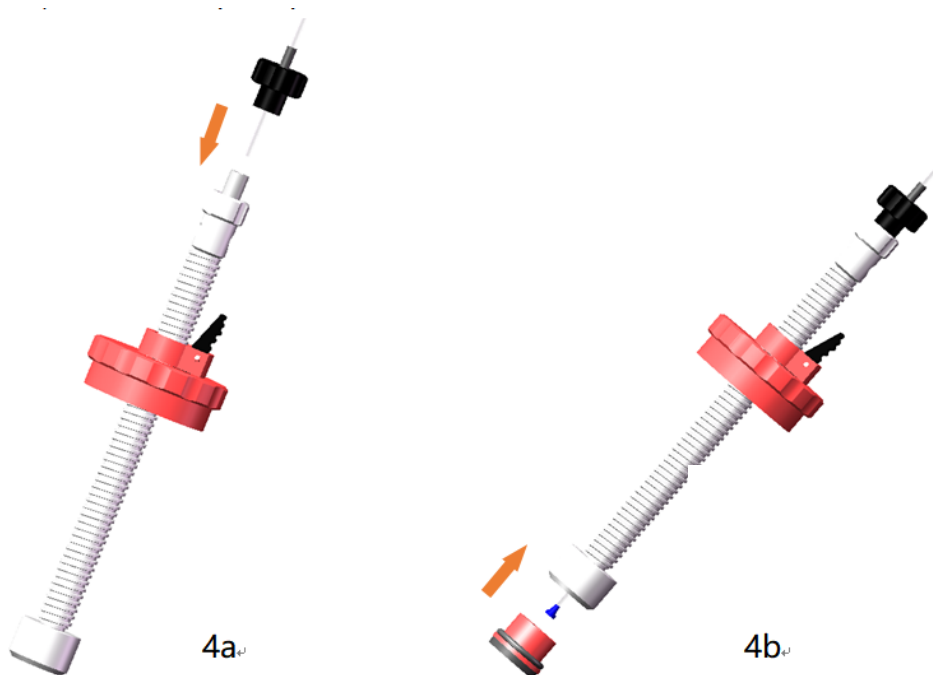
Figure 3. Assembling column head

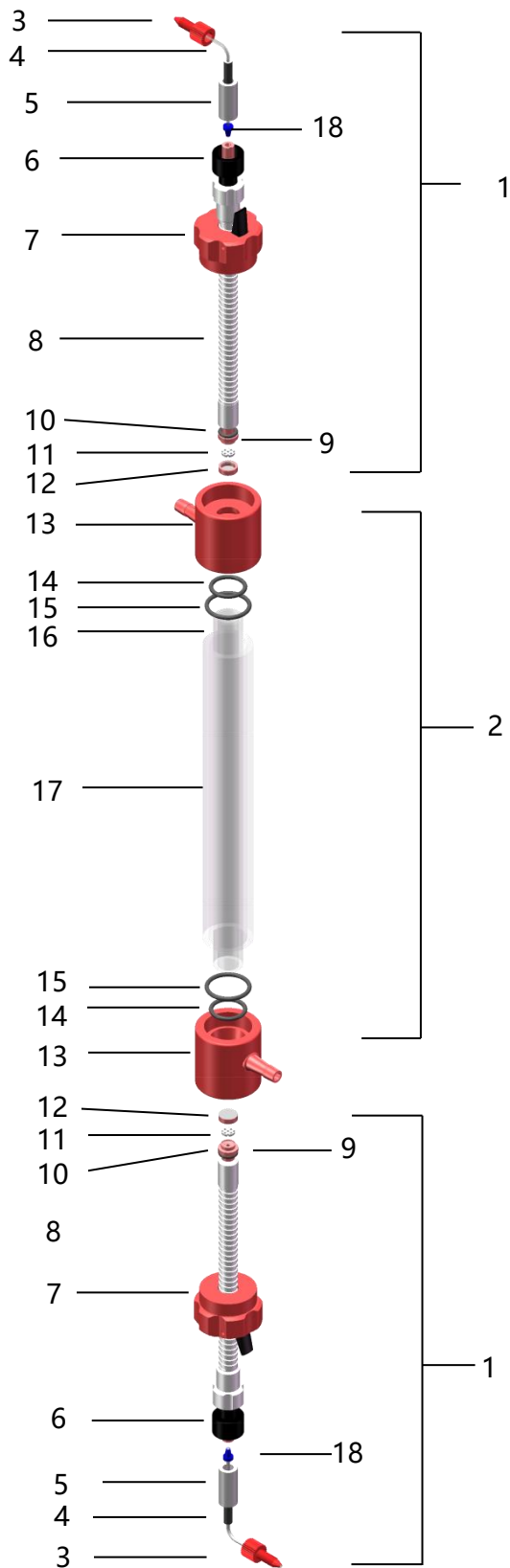
2.4 Assembling of column bottom

1. Screw the lower pressure bar (7) tightly to the plunger (5) (Figure 3a&3b).
2. Screw the compression nut (6) tightly to O-ring (11) which allow it adherence to plunger and prevent over compressed it.(Figure 3c).
3. Insert column bottom into the glass pipe (1) (Figure 1).
4. Screw the compression nut tightly to ensure the fine sealing, prevent over compression.

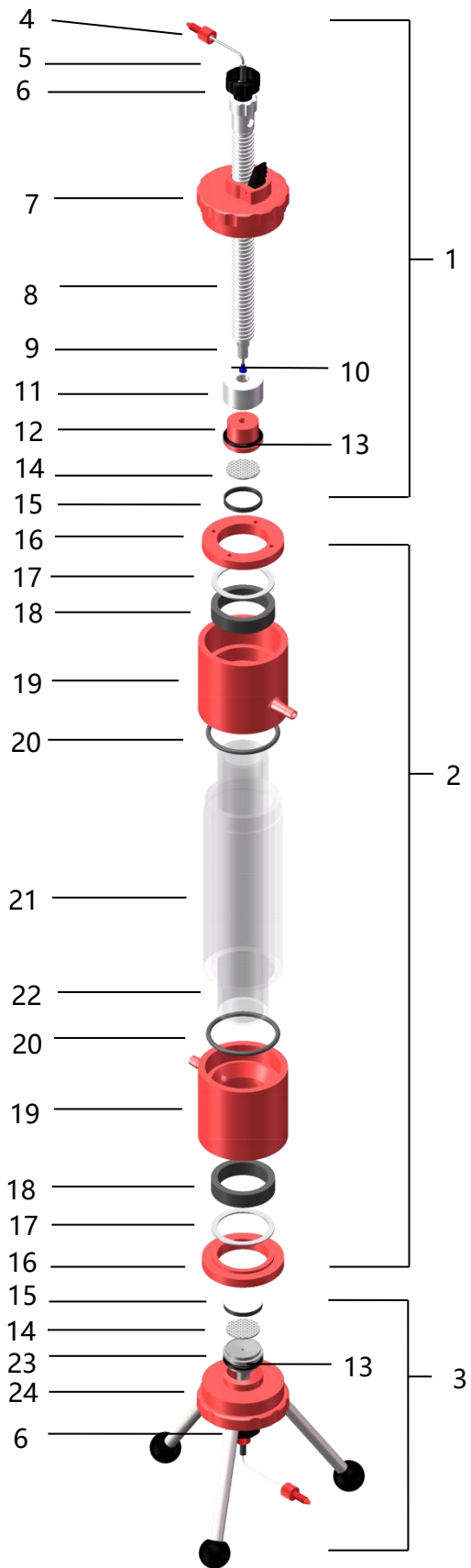
2.5 Replace capillaries

1. Disassemble the column head or bottom parts.
2. Remove the locker ring (13) and capillary (15).
3. Insert new capillary through the pressure bar (Figure 4a).
4. Utilize the capillary cutter to adjust capillary to the minimum length required column connect to the instrument and ensure the cutting edge have not squeezed capillary.
5. Attach the new locker ring and screw plunger onto the pressure bar.
6. Reassemble column bottom or head. (Figure 4b).





Number	Name
1	Column head
2	Column tube
3	Pipe joint
4	Capillary
5	Pipe joint
6	Compression nut
7	Screw cap
8	Screw
9	piston
10	O-ring
11	Support net
12	Sieve
13	Connector
14	O-ring
15	O-ring
16	glass tube
17	Acrylic tube
18	Locking pressure ring



Number	Name
1	Column Head
2	Column tube
3	Column base
4	Pipe joint
5	Capillary
6	Compression nut
7	Screw cap
8	Screw
9	Pressure bar
10	Seal lock ring
11	Piston gland
12	Upper piston
13	O-ring
14	Support net
15	Sieve
16	Locking pressure ring
17	Gasket
18	Sealing ring
19	Connector
20	O-ring
21	Acrylic tube
22	Glass tube
23	Lower piston
24	Lower screw cap
25	Support leg

Figure 6. Schematic diagram of GALAK column

3. Operation

3.1 Pillar Packer

When the packed column bed is very high, the packing can be used for packing. The models of the column loader are HR10, HR16, HR26 and HR50. The column packer can also be used as an eluent container. The column packer can withstand temperatures up to 40°C and pressures of 0.5 MPa (5 bar).

3.2 Column packing

1. Remove the column head, make sure that the column bottom is installed correctly and the O-ring is tightened.
2. Pour a small amount of medium solution into the column tube, and then let it dry until the height of the liquid in the column tube reaches 1 – 2mm above the bottom screen.
3. Plug the column outlet on the bottom assembly with a plug.
4. Carefully pack the chromatography resin into the column tube. No air bubbles can be introduced.
5. Loosen the O-ring on the top column head and insert the column head into the column tube at an angle to avoid air under the screen (Figure 7a).
6. Fix the column head to the column tube by turning the upper screw cap downwards (Figure 7b).
7. Use the quick-lock fitting to slide the column head down 1 to 2 cm above the resin bed (Figure 7c).
8. Tighten the compression nut on the column head and compress the O-ring.
9. By rotating the column head screw, press the column head down a few millimeters to ensure that any trapped air under the screen and in the capillary tube is replaced by liquid.
10. Continue to pack the column according to the packing procedure in the medium resin manual.

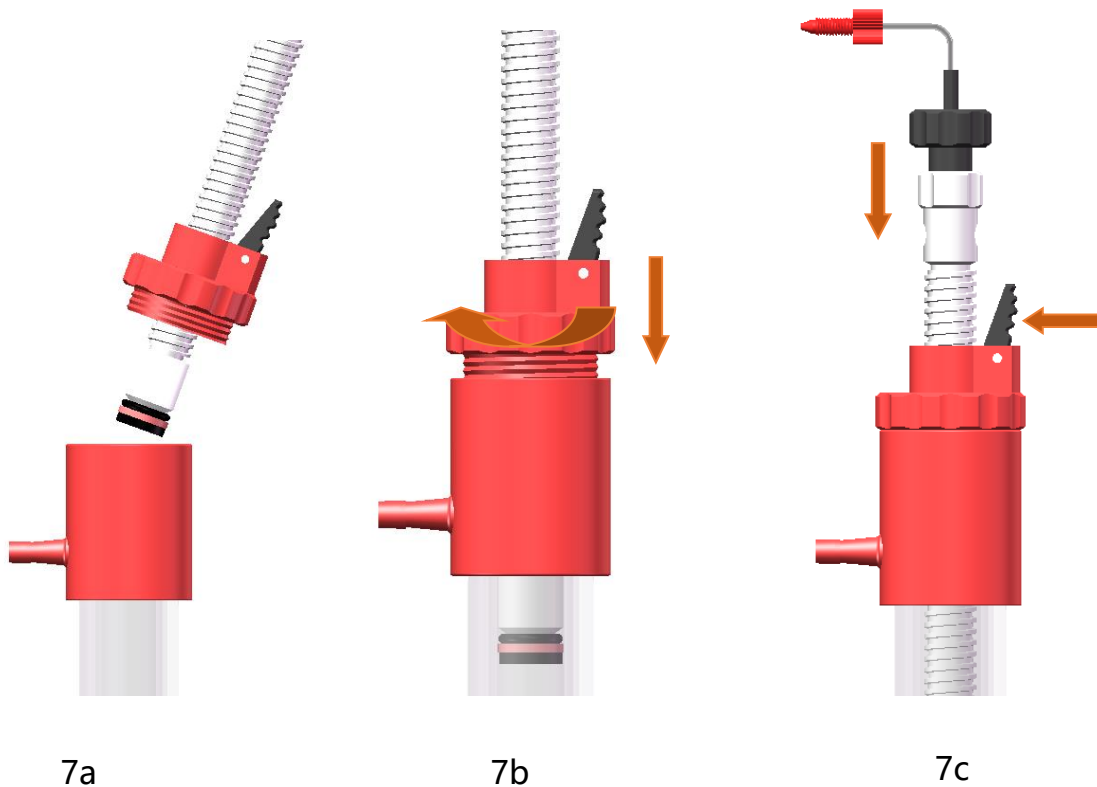


Figure 7. Filling chromatography column

3.3 Use the column tube connector to connect another column tube for packing.

1. Remove the column head, make sure that the components at the bottom of the column are installed correctly and the O-ring is tightened.
2. Use the column tube connector (Figure 8) to connect the additional column tube to the chromatography column.
3. Pour a small amount of medium solution into the column tube and let it dry until the height of the liquid in the column tube reaches 1-2 mm above the bottom screen.
4. Use a plug to block the column outlet on the bottom assembly.
5. Carefully pack the chromatography resin into the column tube. No air bubbles can be introduced.
6. Insert the column head and make sure the capillary is filled with liquid to avoid air
7. Connect the capillary tube to the system and follow the media instructions provided in the resin manual.
8. Disconnect the capillary from the system.
9. Remove the extra column tube and column tube connector.
10. Insert the column head into the column tube at an angle to avoid air under the screen (Figure 7a and 7b).
11. Use quick-lock fittings to adjust the column head to the resin surface (see 3.5 "Using quick-lock fittings to adjust the column head during filling").
12. Tighten the compression nut on the column head and compress the O-ring.

13. By rotating the column head screw, press the column head down a few millimeters to ensure that any trapped air under the screen and in the capillary tube is replaced by liquid (Figure 7c).

14. Continue to pack the column according to the packing procedure in the medium resin manual

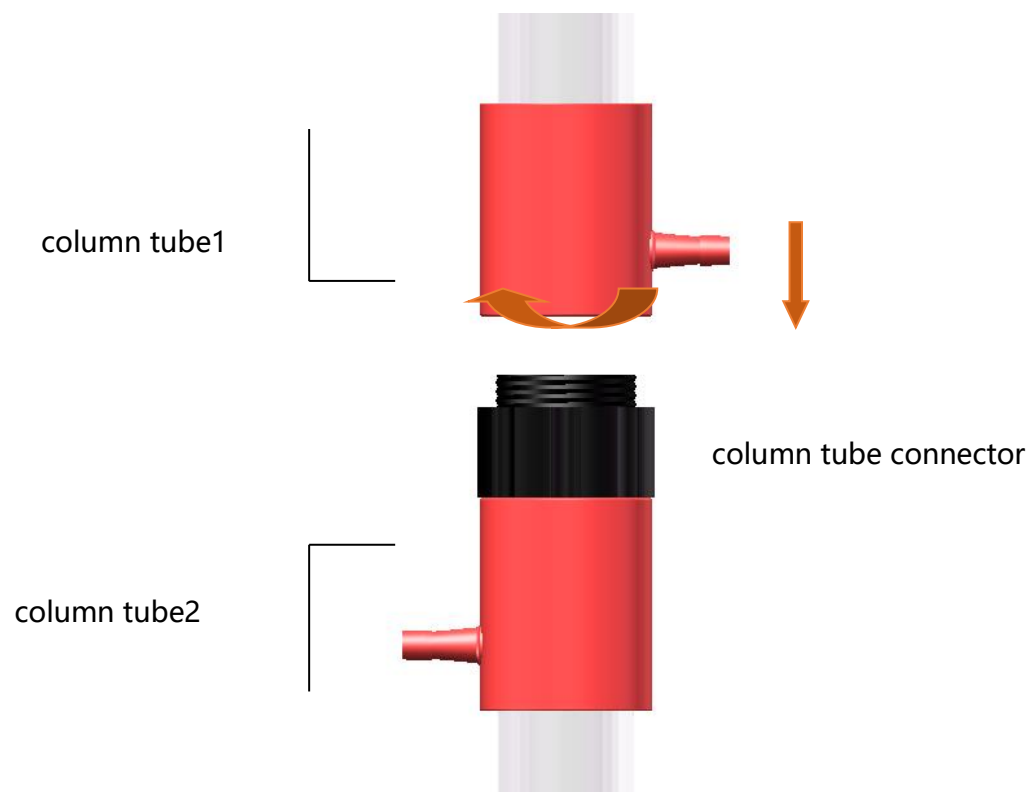


Figure 8

3.4 Use the column packer to pack the packing

1. Remove the column head and replace it with a suitable column loader (Figure 9) to ensure that the column bottom assembly is correctly installed, and the O-ring is tightened.
2. Open the upper cover of the column loader, pour a small amount of medium solution into the column tube and let it dry until the height of the liquid in the column tube is 1 – 2 mm above the bottom screen.
3. Plug the column outlet on the bottom assembly with a plug.
4. Carefully load the chromatography resin into the column tube through the column loader. No air bubbles can be introduced.
5. Install the upper cover on the column loader and make sure that the capillary is filled with liquid to avoid generating air.
6. Connect the capillary to the system and follow the media instructions provided in the resin manual.
7. Disconnect the capillary from the system.

8. Remove the post packer.
9. Insert the column head into the column tube at an angle to avoid air under the screen (Figure 7a and 7b).
10. Use the quick-lock fitting to adjust the column head to the resin surface (see 3.5 "Using the quick-lock fitting to adjust the column head during filling").
11. Tighten the compression nut on the column head and compress the O-ring.
12. By rotating the column head screw, press the column head down a few millimeters to ensure that any trapped air under the screen and in the capillary tube is replaced by liquid (Figure 7c).
13. Continue to pack the column according to the packing procedure in the medium resin manual.

3.5 Use the quick-lock connector to adjust the column head during filling

When operating the column under a high pressure of 0.1 ~ 0.5 MPa (1 ~ 5bar), the quick lock cannot be pressed because it has a self-locking mechanism.

To readjust the position of the column head, follow the steps below:

1. Stop the pump.
2. Disconnect the column from the pump and leave the inlet capillary open.
3. Loosen the compression nut on the column head and loosen the O-ring.
4. Push down the quick lock connector and adjust the piston to a suitable position.
5. Tighten the compression nut to obtain a good seal.
6. Fine-tune the position of the column head by turning the column head screw.

Note: When using organic solvents, the liquid level in the column can be lowered to 5mm above the surface of the resin bed. Then, the column head can be inserted directly into the column and lowered to the surface of the liquid. Remove the air from the column head and fix the column head as described above. When the column head is in this position and the resin bed is squeezed under the operating pressure, there should be no liquid space between the surface of the resin bed and the column head screen. After balancing the resin bed, you can readjust the position of the column head, but make sure that the column outlet is closed before moving the column head.

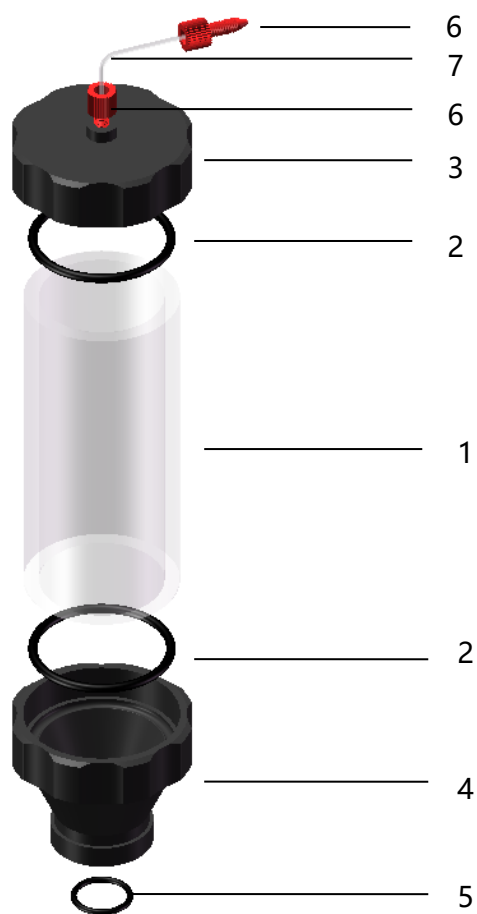


Figure 9. Schematic diagram of column packing

Table 4: The detailed parts of GALAK column packing. The series numbers are indicated in Figure 7.

Serial No.	Name	Material	Quantity
1	Alex tube	PMMA	1
2	Oring	VITON(EPDM)	2
3	Upper lid	POM	1
4	Lower lid	POM	1
5	Oring	VITON(EPDM)	1
6	Adapter	PEEK	2
7	Capillary	PFA	1